

EZAV/EZA2V Integrated Vacuum Generator (Multi-pin Type)



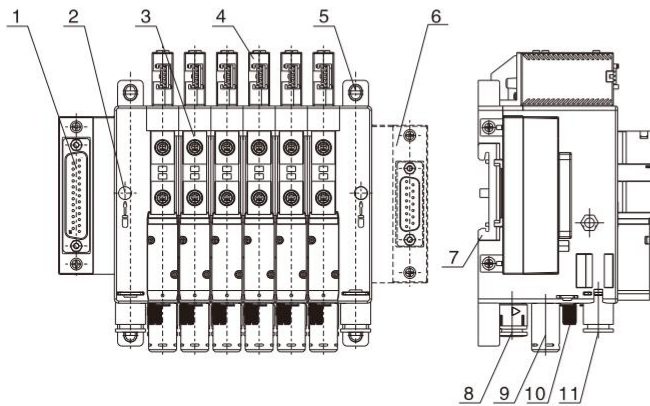
EZAV/EZA2V

Integrated Vacuum Generator (Multi-pin Type)



Product Features

- Multi-plate assembled EZA integrated vacuum generator structure.
- Adopts centralized air supply, making pipe connection more convenient;
- Solenoid valve wiring/vacuum pressure gauge wiring uses D-SUB connectors, making the overall wiring of the product more compact and aesthetically pleasing;
- Integrated vacuum, exhaust, silencer, and self-holding functions are built-in;
- Features a built-in, quick-change vacuum filter for easier installation and removal;
- Silenced exhaust and through exhaust can be freely selected;
- Combines 35mm DIN rail mounting with screw hole mounting to meet various installation requirements.



1. 25-pin D-SUB socket
2. Rail mounting fixture hole
3. Vacuum generator (modular type)
4. Digital vacuum pressure gauge (optional)
5. 4 elliptical mounting holes of 4.5x6
6. 15-pin D-SUB socket (optional for EZA2V)
7. DIN rail mounting slot
8. Vacuum quick-connect interface $\phi 6 / \phi 8$
9. External silencer/through-hole exhaust
10. Vacuum break flow control valve stem
11. Centralized air supply quick-connect interface $\phi 8$

How to Order?

EZAV multi-needle vacuum generator

Series Code Nozzle Caliber Vacuum Gauge Specifications – Vacuum Connection – Exhaust type – Assembly Links

EZAV:
Multi-pin
vacuum
generator

07:Ø0.7
10:Ø1.0

Code	Supply Valve	Air breaking
K	NC	NC
R	Self-holding	NC

Note: R-type energized for 20ms or more, vacuum occurs and lasts, air-breaking valve energized, vacuum stops.

None: without gauge
W: External vacuum detection
N: NPN Type
P: PNP Type

06:Ø6
08:Ø8

Blank: Silencer
(default)
D: Through-port
exhaust(Ø8)

2F: 2 Links
3F: 3 Links
...
12F: 12 Links

Ordering Example:

EZAV dual multi-pin vacuum generator, Ø1.0 nozzle bore, NC supply valve, NC Air breaking, NPN gauge size, Ø6 vacuum connection, through-port exhaust (Ø8), number of cartridges 6 positions. The Code: EZAV10K-N-06-D-6F

Containerized maximum simultaneous opening positions				
Intake method	Intake caliber	EZA□07	EZA□10	Self-maintaining
Unilateral intake	1-Ø8	8 links	6 links	4 links
Both sides intake	2-Ø8	10 links	9 links	6 links
non-simultaneous open digit		12 links	12 links	12 links

EZA2V dual multi-needle vacuum generator

Series Code Nozzle Caliber Vacuum Gauge Specifications – Vacuum Connection – Exhaust type – Assembly Links

EZA2V:
dual
multi-pin
vacuum
generator

07:Ø0.7
10:Ø1.0

Code	Supply Valve	Air breaking
K	NC	NC
R	Self-holding	NC

Note: R-type energized for 20ms or more, vacuum occurs and lasts, air-breaking valve energized, vacuum stops.

N: NPN Type
P: PNP Type

06:Ø6
08:Ø8

Blank: Silencer
(default)
D: Through-port
exhaust(Ø8)

2F: 2 Links
3F: 3 Links
...
12F: 12 Links

Ordering Example:

EZA2V dual multi-pin vacuum generator, with a Ø1.0 nozzle diameter, NC supply valve, NC Air breaking, NPN vacuum gauge specifications, Ø6 vacuum interface, through exhaust (Ø8), assembled into 6 positions, and its order code is: EZA2V10K-N-06-D-6F.

EZAV/EZA2V Integrated Vacuum Generator (Multi-pin Type)



Performance Parameter

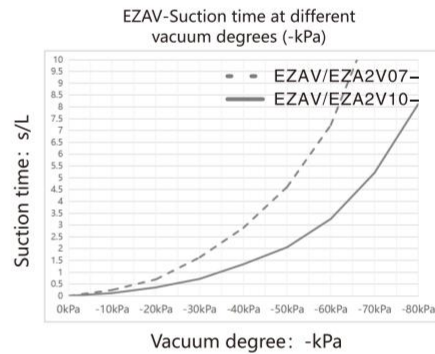
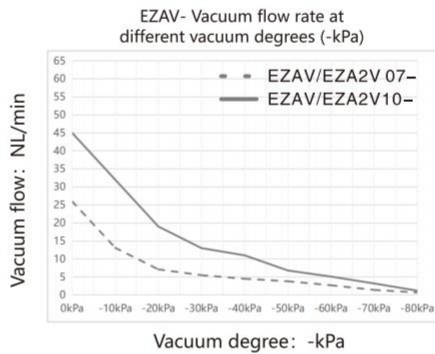
Model specifications	Rated air supply pressure Mpa	Maximum vacuum-kPa	Maximum vacuum flow NL/min	Single generator air consumption NL/min	Air supply interface mm	Vacuum interface mm	Noised B(A)
EZAV/EZA2V 07-	0.35	85	26	15	2-φ8	φ6 / φ8	62
EZAV/EZA2V 10-	0.35	85	45	40	2-φ8	φ6 / φ8	74

Vacuum flow rate at different vacuum degrees (-kPa)(NL/min)

Model specifications	Rated air supply pressure Mpa	Single generator air consumption NL/min	0	10	20	30	40	50	60	70	80	Maximum vacuum-kPa
EZAV/EZA2V 07-	0.35	15	26	13.1	7.1	5.5	4.5	3.8	2.7	1.4	0.4	85
EZAV/EZA2V 10-	0.35	40	45	32	19	13	11	6.8	5.1	3.2	1.2	85

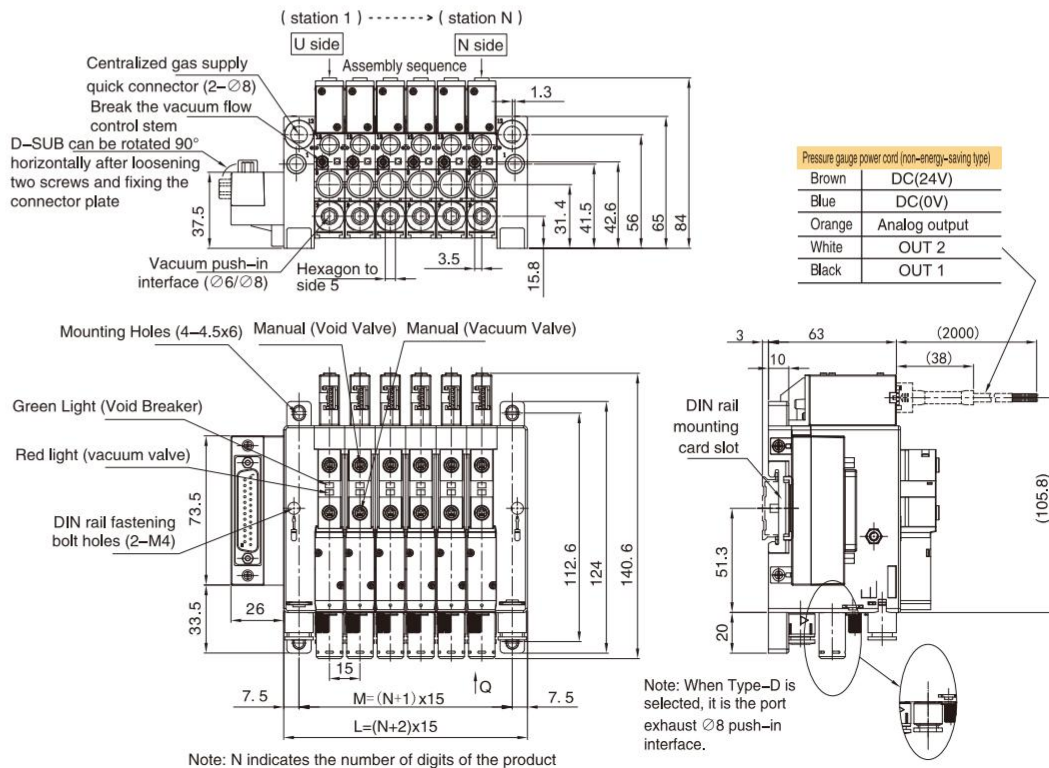
Suction time at different vacuum degrees (-kPa)

Model specifications	Rated air supply pressure Mpa	Single generator air consumption NL/min	0	10	20	30	40	50	60	70	80	Maximum vacuum-kPa
EZAV/EZA2V 07-	0.35	15	0	0.25	0.70	1.63	2.68	4.61	7.23	11.85	18.77	85
EZAV/EZA2V 10-	0.35	40	0	0.12	0.36	0.72	1.34	2.06	3.26	5.21	8.12	85



Dimensions(mm)

EZAV□-N/P with vacuum gauge outline drawing

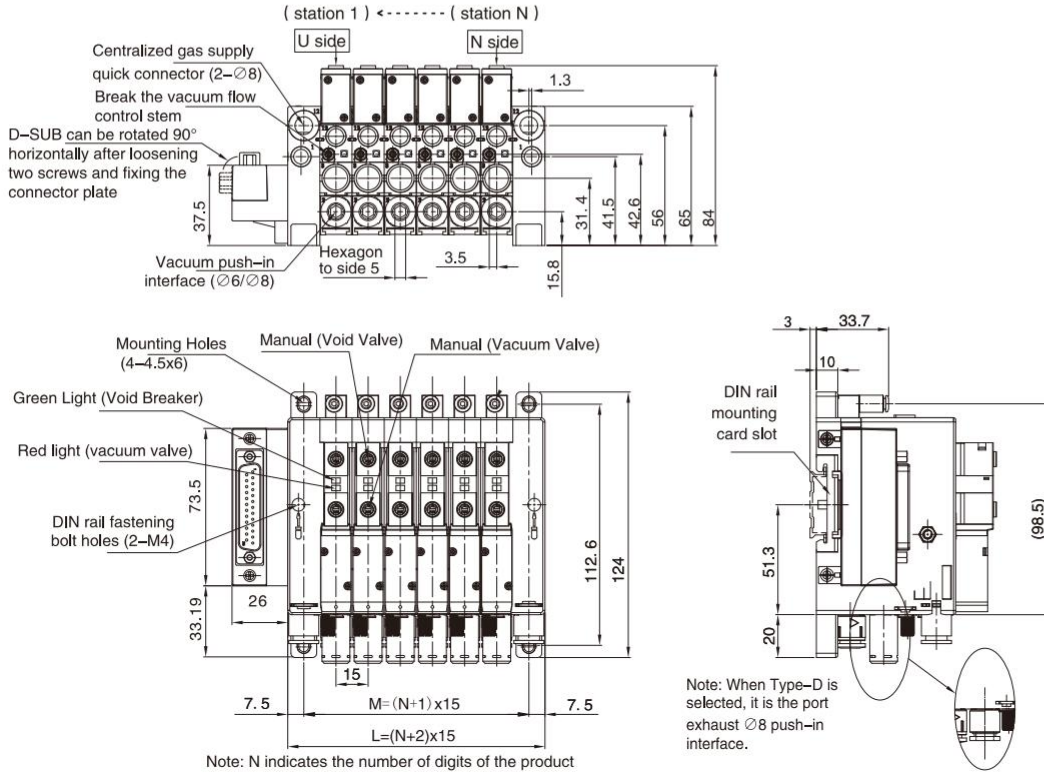


EZAV/EZA2V Integrated Vacuum Generator (Multi-pin Type)

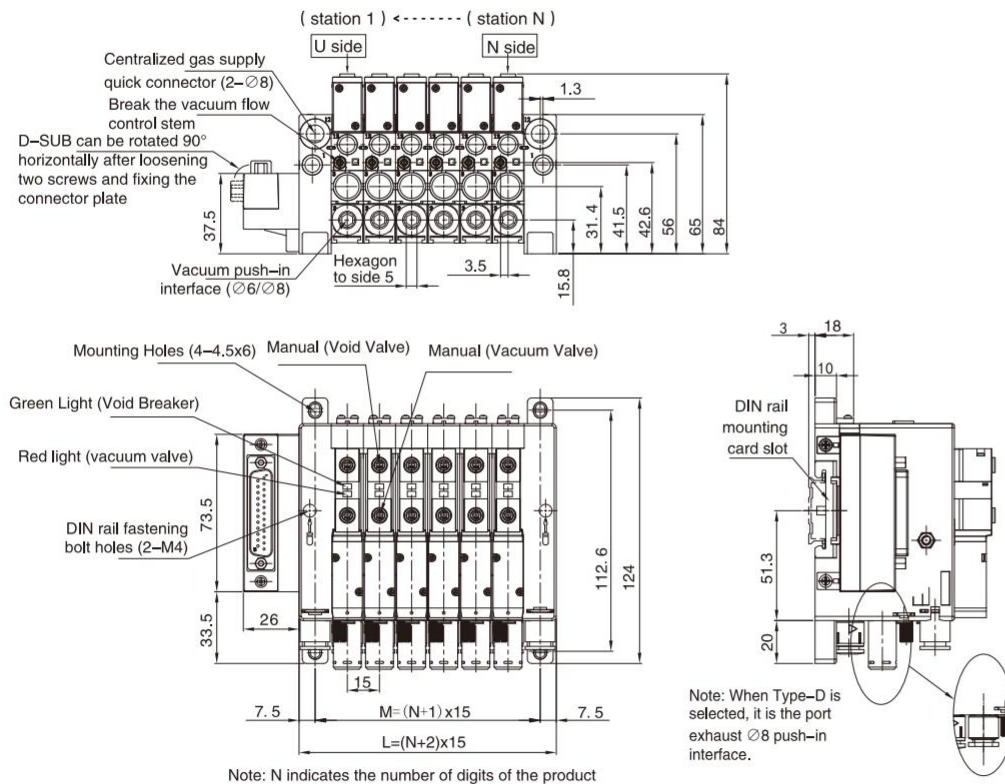


Main Dimension

EZAV□-W External vacuum detection outline drawing



EZAV□- Outline without vacuum pressure gauge



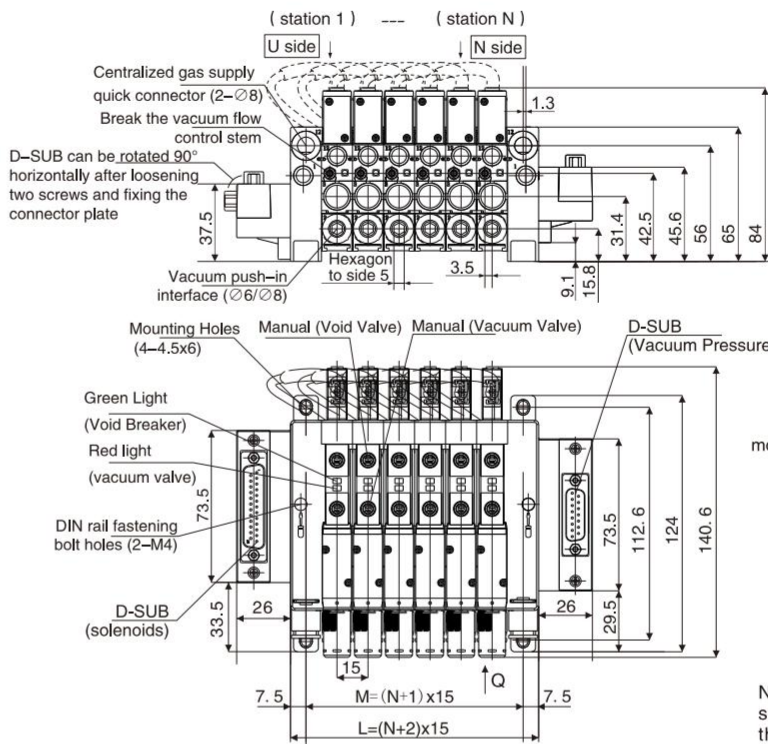
6
EZAV
EZA2V

EZAV/EZA2V Integrated Vacuum Generator (Multi-pin Type)



Main Dimension

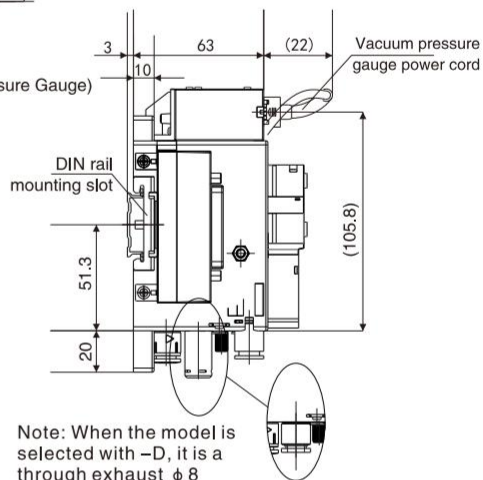
EZA2V□-N/P with vacuum gauge outline drawing



Note: N indicates the number of digits of the product

Maximum number of positions that can be opened simultaneously in the assembled style

Air intake method	Air intake diameter	EZA□07	EZA□10	Self holding type
Single side air intake	1-φ8	8 Links	6 Links	4 Links
Dual-side air intake	2-φ8	10 Links	9 Links	6 Links
Number of positions not opened simultaneously		12 Links	12 Links	12 Links



Note: When the model is selected with -D, it is a through exhaust φ8 quick-connect interface.

How to Order? Multi-pin cable

Cable core count - Connector Series - Cable length - Injection molding

D25: 25-pin D-sub connector

25:25 cores (Not more than 12 links)
15D: 15 cores (Not more than 7 links)

1M: Cable length 1 m
2M: 2 m cable length
3M: Cable length 3 m
.....

Remarks: The cable length can be customized

A

Cable core count - Cable core count - Cable length - Recognition code - Injection molding

D25: 25-pin D-sub connector

25:25 cores (Not more than 12 links)
16D: 16 cores (Not more than 7 links)

1M: Cable length 1 m
2M: 2 m cable length
3M: Cable length 3 m
.....

Remarks: The cable length can be customized

TL: Flexible towline cable

A

Cable core count - Cable core count - Cable length - Recognition code - A

D15: 15-pin D-sub connector

15: 15 cores

1M: Cable length 1 m
2M: 2 m cable length
3M: Cable length 3 m
.....

Remarks: The cable length can be customized

No: Standard Cable
TL: Flexible towline cable

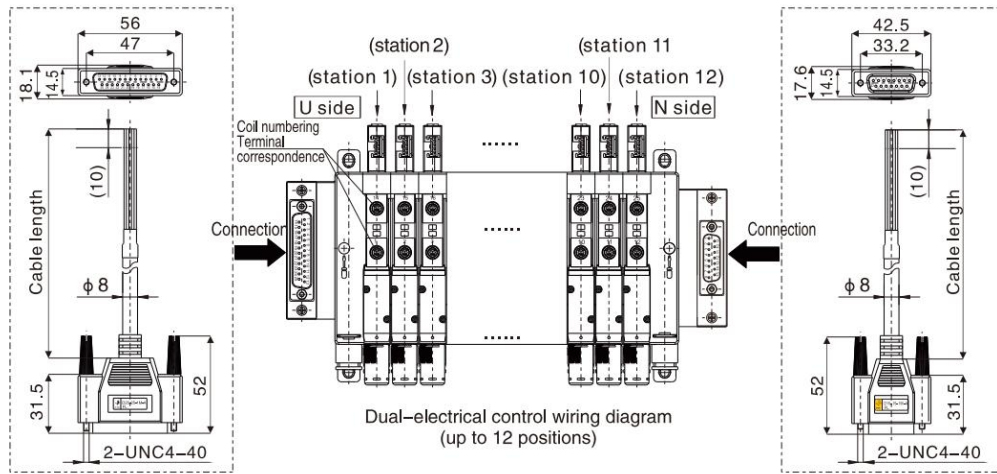
Injection molding

6
EZAV
EZA2V

EZAV/EZA2V Integrated Vacuum Generator (Multi-pin Type)



EZAV/EZA2V Multi-needle Position Wiring Diagram



U side 25-pin D-SUB multi-needle cable

N side 15-pin D-SUB multi-needle cable

Pin Correspondence Table (U side 25-pin D-SUB for Solenoid V (U side 25-pin D-SUB multi-needle cable))

Terminal Number	White Cable (Standard)		Gray Cable (Flexible Drag Chain)		Wiring Description
	D25-25	D25-15D	D25-25	D25-16D	
1	Red Black	Red Black	Purple	Purple	1# Vacuum Valve
2	Red White	Red	Orange	Orange	2# Vacuum Valve
3	Red	Orange Black	Pink	Pink	3# Vacuum Valve
4	Orange Black	Orange	Gray	Gray	4# Vacuum Valve
5	Orange White	Yellow Black	White	White	5# Vacuum Valve
6	Orange	Yellow	Red	Red	6# Vacuum Valve
7	Yellow Black	Pink	Green	Green	7# Vacuum Valve
8	Yellow	-	Black	-	8# Vacuum Valve
9	Pink Black	-	Purple with 1 dot	-	9# Vacuum Valve
10	Pink	-	Orange with 1 dot	-	10# Vacuum Valve
11	Blue White	-	Pink with 1 dot	-	11# Vacuum Valve
12	Blue	-	Gray with 1 dot	-	12# Vacuum Valve
13	Black	Black	Yellow	Black	COM
14	Green	Blue	White with 1 dot	White with dots	1# Vacuum Break Valve
15	Purple White	Green	Red with 1 dot	Red with dots	2# Vacuum Break Valve
16	Purple	Light Green	Green with 1 dot	Green with dots	3# Vacuum Break Valve
17	Brown White	Purple	Black with 1 dot	Black with dots	4# Vacuum Break Valve
18	Brown	White	Purple with 2 dots	Purple with dots	5# Vacuum Break Valve
19	Green Black	Brown	Orange with 2 dots	Orange with dots	6# Vacuum Break Valve
20	Gray Black	Gray	Pink with 2 dots	Pink with dots	7# Vacuum Break Valve
21	Gray	-	Gray with 2 dots	-	8# Vacuum Break Valve
22	White Black	-	White with 2 dots	-	9# Vacuum Break Valve
23	White	-	Red with 2 dots	-	10# Vacuum Break Valve
24	Green White	-	Green with 2 dots	-	11# Vacuum Break Valve
25	Light Green	-	Black with 2 dots	-	12# Vacuum Break Valve

Pin Correspondence Table (U side 25-pin D-SUB for Solenoid Valves (N side 15-pin D-SUB multi-needle cable))

Terminal Number	White Cable (Standard)	Gray Cable (Flexible Drag Chain)	Wiring Description
	D15-15	D15-15(TL)	
1	Red Black	Purple	1# Pressure gauge switch quantity
2	Red	Orange	2# Pressure gauge switch quantity
3	Orange Black	Pink	3# Pressure gauge switch quantity
4	Orange	Grey	4# Pressure gauge switch quantity
5	Yellow Black	White	5# Pressure gauge switch quantity
6	Yellow	Red	6# Pressure gauge switch quantity
7	Pink	Green	7# Pressure gauge switch quantity
8	Blue	Black with dots	8# Pressure gauge switch quantity
9	Green	Purple with dots	9# Pressure gauge switch quantity
10	Light Green	Orange with dots	10# Pressure gauge switch quantity
11	Purple	Pink with dots	11# Pressure gauge switch quantity
12	White	Grey with dots	12# Pressure gauge switch quantity
13	Brown	White with dots	/
14	Gray	Red with dots	Connect to power "0V"
15	Black	Black	Connect to power "24V"

NOTE: The above table is for Double Multi only, do not wire with electricity.